

## Technical Specification

### 2400-2500 MHz 7.5 dBi

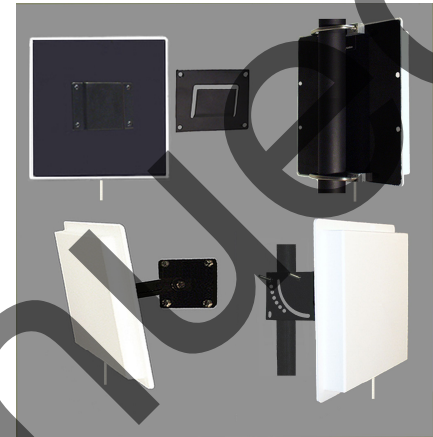
## B26247

### 2.4 GHz PANEL ANTENNA

**Performance:** Directional antenna for the 2400 thru 2500MHz band providing 7.5 dBi gain.

**Stylish and Durable:** These antennas are manufactured using the finest materials available. They provide great performance in a stylish package. All the plastic parts are molded using UV ABS material. All 26 Series panels are supplied with a 12" pigtail.

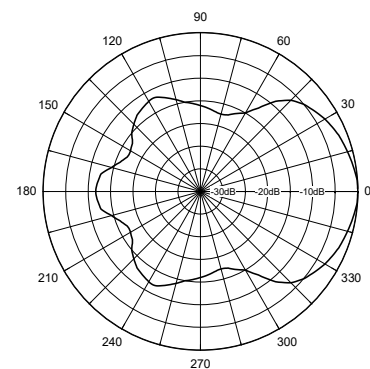
**Mounting:** Multiple mounting options are available. These include standard Slip mount, V-Bolt with V-Block, Indoor swivel mount and Heavy duty outdoor universal swivel mount.



#### SPECIFICATIONS:

<b>FREQUENCY RANGE:</b>	2400-2500MHz
<b>GAIN:</b>	7.5 dBi (5.5 dBd)
<b>FRONT TO BACK:</b>	20dB
<b>VSWR:</b>	1.5:1
<b>VERT BEAM WIDTH:</b>	60°
<b>HORIZ BEAM WIDTH:</b>	65°
<b>POLARIZATION:</b>	Vertical
<b>IMPEDANCE:</b>	50 ohms
<b>POWER RATING:</b>	100 watts
<b>RADOME:</b>	ABS, UV
<b>COLOR:</b>	Off white
<b>TERMINATION:</b>	12 (30cm) Pigtail "N"
<b>THICKNESS:</b>	3/4" (1.9cm)
<b>MOUNTING:</b>	Standard Slip Mount V-Bolt & V-Block Indoor swivel mount Heavy duty Outdoor swivel mount
<b>OVERALL SIZE:</b>	4 1/2" (11.4cm) x 4 1/2" (11.4cm)
<b>FLAT PLATE AREA:</b>	.1406 ft <sup>2</sup>
<b>WIND RATING:</b>	125 MPH (201kph)
<b>WIND LOAD:</b>	9.5 lbs. (4.3kg)

**Horizontal Pattern**



**Vertical Pattern**

