

## Technical Specification

900-930 MHz 3.5 dBi

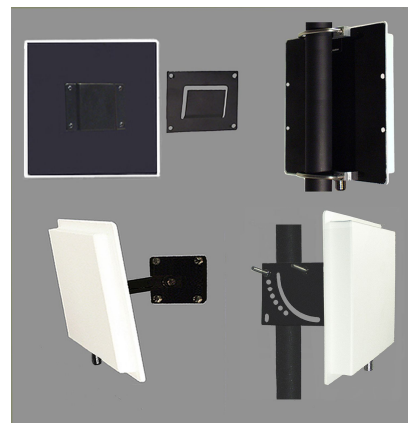
B3693

PANEL ANTENNA

**Performance:** Directional planar array panel antenna for the 900 thru 930MHz band providing 3.5 dBi gain.

**Stylish and Durable:** These antennas are manufactured using the finest materials available. They provide great performance in a stylish package. All the plastic parts are molded using UV inhibited ABS material that will give years of service when used inside or outside. The back plate is black powder coated aluminum for excellent durability and mounting stability.

**Mounting:** Multiple mounting options are available. These include standard Slip mount, V-Bolt with V-Block, Indoor swivel mount and Heavy duty outdoor universal swivel mount.



### ELECTRICAL SPECIFICATIONS:

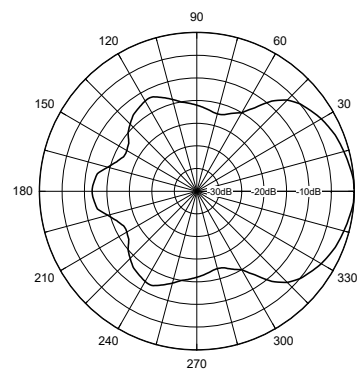
**FREQUENCY RANGE:** 900-930MHz  
**GAIN:** 3.5 dBi  
**FRONT TO BACK:** 20dB  
**VSWR:** 1.5:1  
**VERT BEAM WIDTH:** 65°  
**HORIZ BEAM WIDTH:** 65°  
**POLARIZATION:** Vertical or Horizontal

**IMPEDANCE:** 50 ohms  
**POWER RATING:** 100 watts

### MECHANICAL SPECIFICATIONS:

**RADOME:** ABS, UV  
**COLOR:** Off white  
**TERMINATION:** "N" Female  
**THICKNESS:** 1 1/2" (4cm)  
**MOUNTING:** Standard Slip Mount  
                   -V Bolt & V-Block  
                   -SM Indoor swivel mount  
                   -HDSM Heavy duty Outdoor swivel mount  
**OVERALL SIZE:** 4 1/2" (11.4cm) x 4 1/2" (11.4cm)  
**FLAT PLATE AREA:** .50 ft<sup>2</sup>  
**WIND RATING:** 125 MPH (201kph)  
**WIND LOAD:** 33.8 lbs. (15.8kg)

Vertical Pattern



Horizontal Pattern

