

Technical Specification

1.7GHz thru 6.0GHz 3dBd/5dBi

BCM2458 CEILING MOUNT ANTENNA

Performance: These antennas provide 3dBd/5dBi gain. They are designed for indoor or outdoor service. They have a power handling capacity of 150 watts. They provide excellent performance over an very wide frequency spectrum.

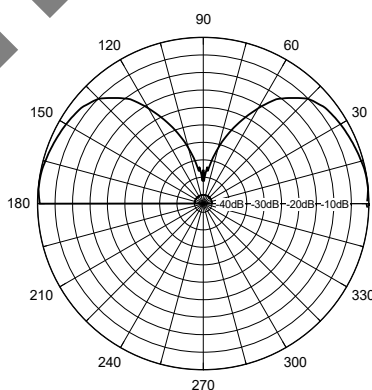
Stylish and Durable: These antennas are manufactured using the finest materials and finishes available. The covers are molded in a white color using UV inhibited ABS plastic. They are available as a special order in black. They are made in the USA.

Standard Mounting: These antennas are designed to be used as ceiling mount antennas but can be inverted and mounted on cabinets, housings or in mobile applications.

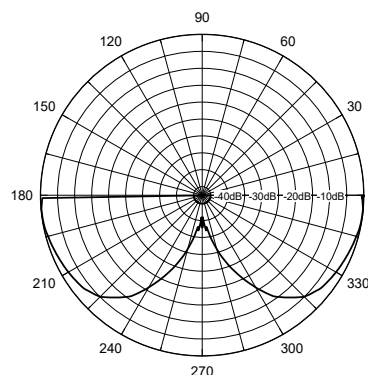
Type "N" termination on the end of a 12" Teflon low loss coax is standard. Custom terminations are also available. No ground plane is required for standard operation.



Vertical Pattern



Inverted Vertical Pattern



ELECTRICAL SPECIFICATIONS:

FREQUENCY RANGE: 1700MHz thru 6000MHz
GAIN: 3dBd / 5dBi
IMPEDANCE: 50 ohms
POWER RATING: 150 watts
VSWR: <2.0:1

MECHANICAL SPECIFICATIONS:

RADOME: UV inhibited ABS plastic
HEIGHT: 2" (5cm)
DIAMETER: 6 5/8" (16.8cm)
MOUNTING: Type "N" Female 12" Pigtail (30cm)
COLOR: White