

Technical Specification

806-960 MHz 6dB Gain

Y2283

YAGI ANTENNA

High Performance: These antennas provide 6dBd, wide band performance.

Rugged and weatherproof: The construction of our standard duty yagis feature 1/2" aluminum U channel with 1/4" solid elements. All exposed areas are coated with UV polyester. The balun assembly is filled and sealed with elastomeric thermoplastic.

Lightweight and Durable: These antennas are easily installed by one person.

Termination Options:

Type A: 12" (30cm) Teflon pigtail with N connector.

Type B: Direct TNC connection to the balun.

ELECTRICAL SPECIFICATIONS:

GAIN: 6dBd F/B 15dB

FREQUENCY:

-06	806-896MHz	<2:1 VSWR
-24	824-896MHz	<2:1 VSWR
-96	896-960MHz	<2:1 VSWR
-915	900-930MHz	<2:1 VSWR

VERT BEAMWIDTH: 70°

HORIZ BEAM WIDTH: 90°

RATING : 150 watts, 50 ohms impedance

MECHANICAL SPECIFICATIONS:

MATERIAL: 1/2" (1.27cm) aluminum U channel boom
1/4" (6.3mm) solid elements

FINISH: UV inhibited polyester coat

LENGTH: 15" (38cm)

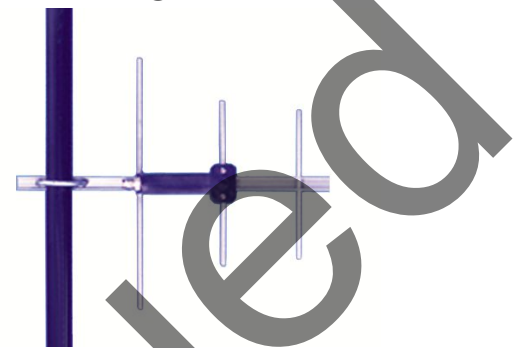
WEIGHT: <2 lbs. (5cm)

MOUNT: 1 5/8" (1.4cm) mast, stainless hardware

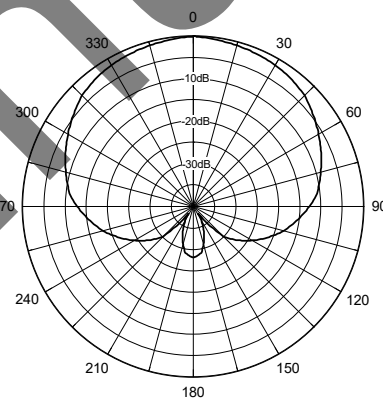
FLAT PLATE AREA: .08 ft²

WIND RATING: 125 MPH (201kph)

WIND LOAD: 4.7 lbs. (2.4kg)



Horizontal Pattern



Vertical Pattern

